

Uni-Pak 36 x 29 x 29 Sleeve Pack

Dimensions for Reference only

Outside Dimension

35.50" L x 28.75" W x 28.98" H

Outside dimensions are measured from the floor to the top of the locating nub on the corner

Inside Usable Dimension

Use the following formulas to calculate I.U.D. to build your own Uni-Pak

Length and Width

$35.50'' - 2.47'' = 33.03''$ and $28.75'' - 2.45'' = 26.30''$

Container Height

Using a 28.98" OD as an example

$28.98'' - 8.67'' = 20.31''$

I.U.D. = 33.03" L x 26.30" W x 20.31" H

Dimensions for Nesting and Stacking Calculation

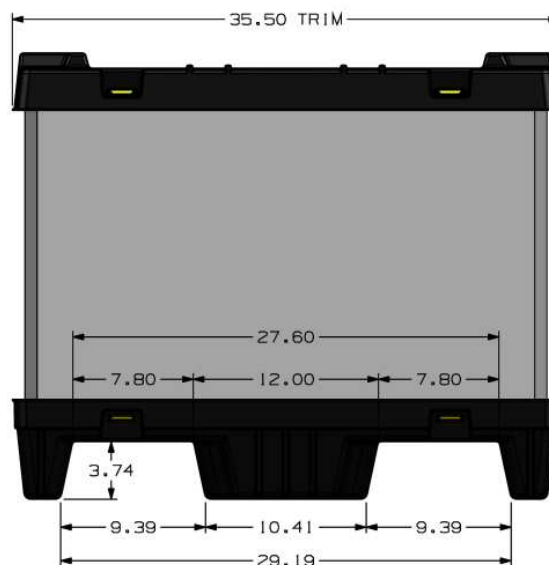
First pallet on floor: 6:50"

Nested pallet in pallet: 2.00"

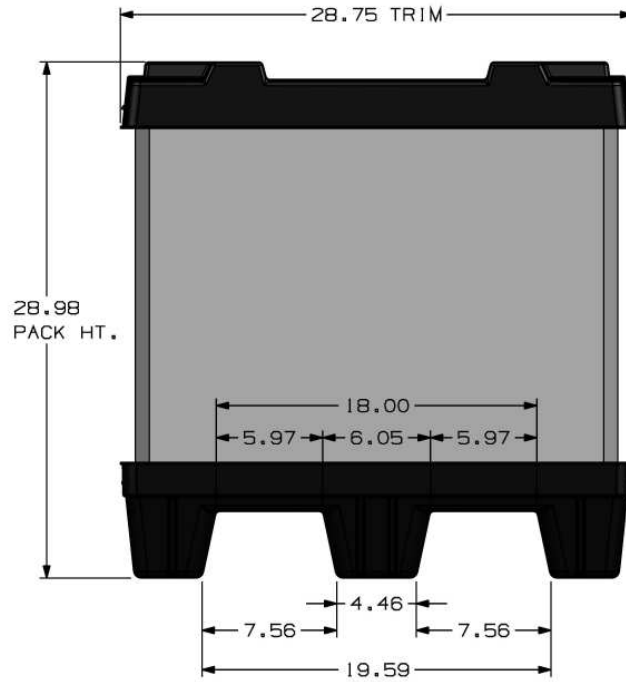
First top nested in pallet: 1.97"

Nested top in top: 1.97"

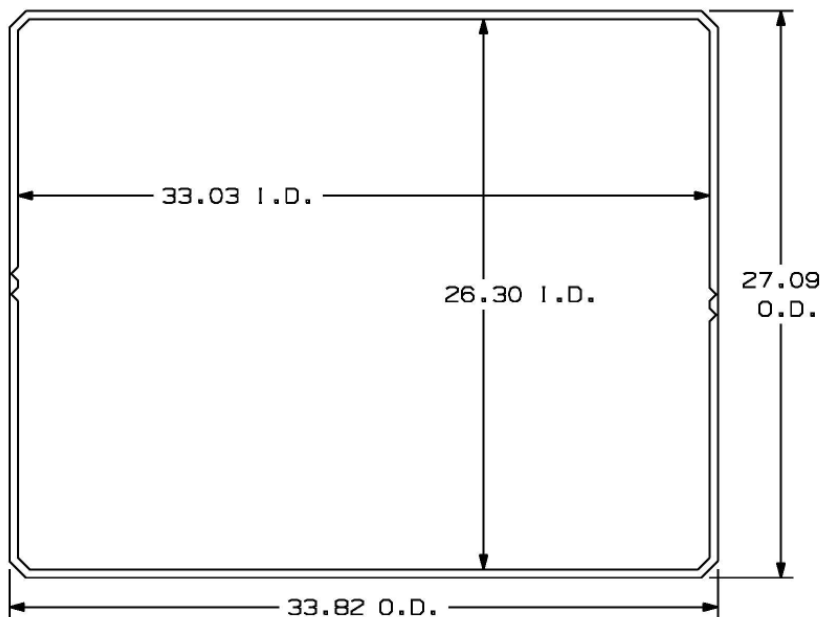
Uni-Pak 36 x 29 x 29 Sleeve Pack Front View



**Uni-Pak 36 x 29 x 29 Sleeve Pack
Side View**



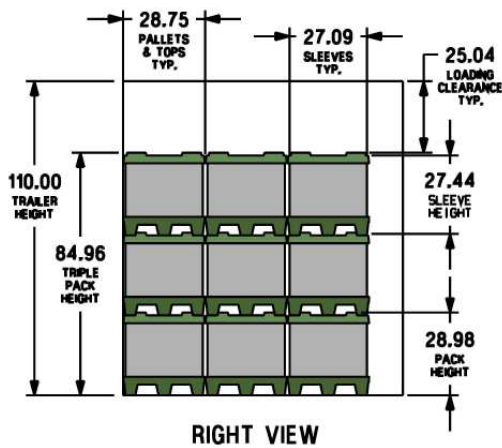
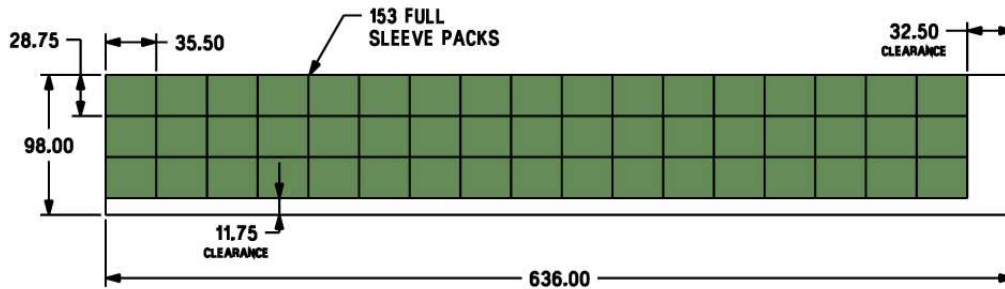
**Uni-Pak 36 x 29 x 29 Sleeve Pack
Sleeve**



36x29x29 SLEEVE PACK

SHIPPING CONFIGURATION FOR 53FT TRAILER
 OF PALLETS, TOPS AND SLEEVES

Density of Full Sleeve Packs in a 53FT Trailer



Uni-Pak DIMENSIONS & CAPACITIES

SLEEVE PACK	36x29x29
HEIGHT	29"
OUTSIDE DIMENSIONS	35.50"L x 28.75"W x 28.98"H
INSIDE DIMENSIONS	33.03"L x 26.30"W x 20.31"H
SLEEVE DIMENSIONS	33.82"L x 27.09"W x 27.44"H
PALLET WEIGHT	14.58 LBS.
TOP WEIGHT	7.75 LBS.
SLEEVE WEIGHT	12.63 LBS.
INTERIOR VOLUME	10.21 CU. FT.
LOAD @ DEFLECTION	5,401 LBS.
SAFETY FACTOR	2,700.5 LBS.

51 Stacks of 3 Sleeve Packs = 153
 TOTAL PALLETS/TOPS = 153
 TOTAL SLEEVES = 153

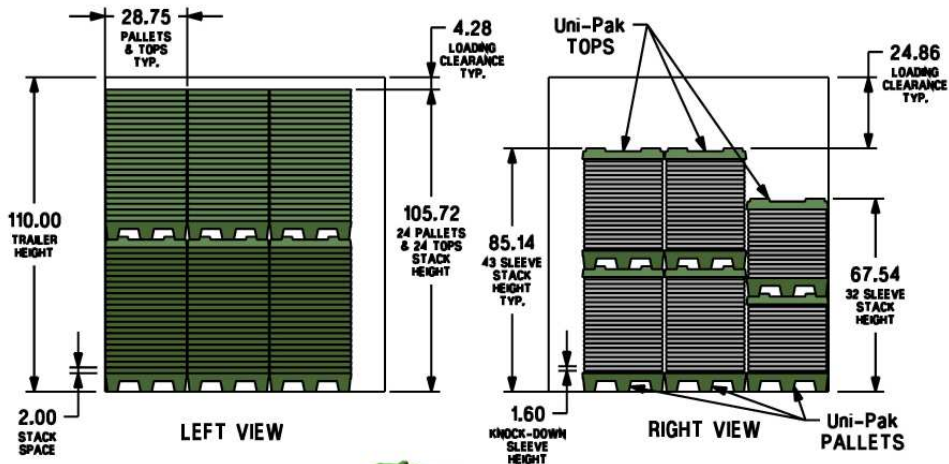
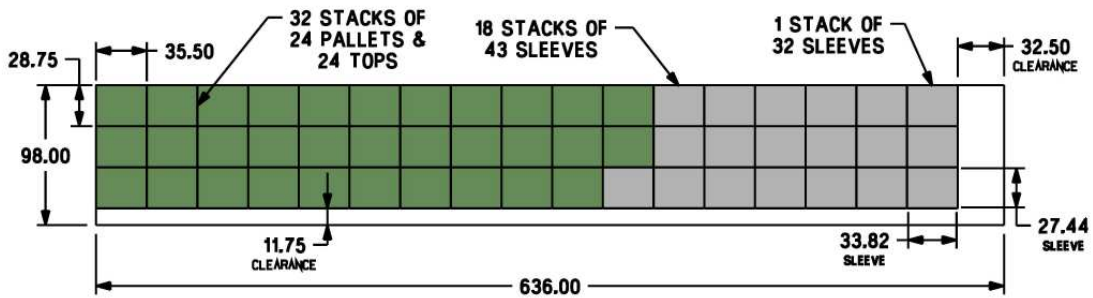


36x29x29 SLEEVE PACK

SHIPPING CONFIGURATION FOR 53FT TRAILER
 OF PALLETS, TOPS AND SLEEVES

Density of Empty Sleeve Packs Maximum Return Option in a 53FT Trailer

806 EMPTY SLEEVE PACKS / 153 FULL SLEEVE PACKS = RATIO OF RETURN IS 5.2:1

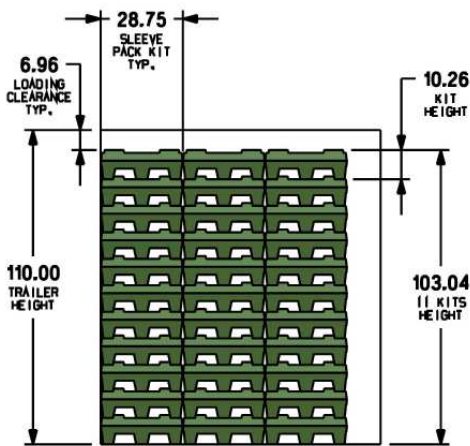
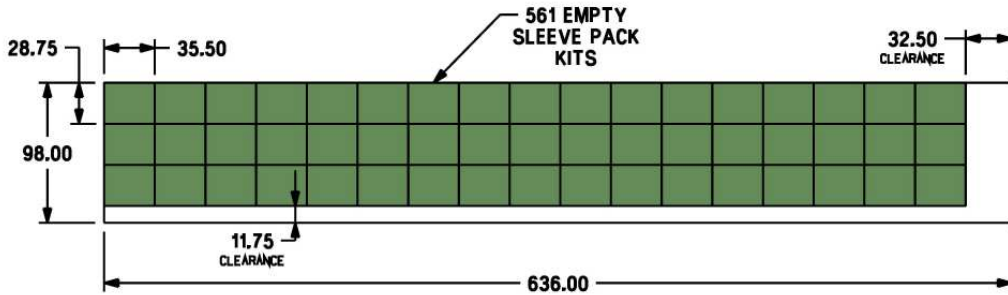


36x29x29 SLEEVE PACK

SHIPPING CONFIGURATION FOR 53FT TRAILER
 OF PALLETS, TOPS AND SLEEVES

Density of Empty Sleeve Pack Kits in a 53FT Trailer

561 EMPTY SLEEVE PACK KITS / 153 FULL SLEEVE PACKS = RATIO OF RETURN IS 3.6:1



RIGHT VIEW

